

PUREPRO
DRINKING WATER SYSTEM

purepro products you can always count on
number one source for quality filters & components

WATER PURIFICATION PRODUCTS

www.pure-pro.com





INTRODUCTION



About Us

PurePro Water Corporation was established to supply high quality water treatment systems and accessories.

We are specialized in manufacturing a variety of standard and customized Reverse Osmosis (RO) and Water Purification Systems. Our systems are designed for residential and light commercial use. (Private label is welcome.)

We pride ourselves on service and provide our customers with the quality and durability of our products at competitive prices. We also, stock a full line of Reverse Osmosis and Water Treatment components for immediate delivery. Some of them are:

Pumps, Replacement Filter Cartridges (Standard, Slim Line and Big Blue), Membrane Elements, Membrane Housings, Filter Housings (Standard, Slim Line and Big Blue), Storage Tanks, Fittings, Flow Restrictors, Faucets, Shut-Off Valves, Tubing, Meter and Time Clock Valves, Resin and Brine Tanks, Media and Resin, UV Lights, Shower Filters, Water Testing Equipment, and many more items.

At PurePro Water Corp. our mission is to provide the highest quality of service and products in the water treatment industry. Therefore, through our commitment, our customers can be assured that their future filter requirements will be met with state-of-the-art solutions.

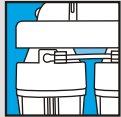
We hope that the few minutes you invested of your time to browse through our website, provided you with the information, comfort level, and guide to any long-term water solution needs that you may have.

Thank you!!

PURE-PRO WATER CORP.

purepro products you can always count on
number one source for quality filters & components

C · O · N · T · E · N · T · S



RO SYSTEMS

Economy RO	[4]
Typical RO	[6]
Pump RO	[6]
RO + UV System	[8-10]
S-Series	[10]
Countertop System	[12]
M-Series	[12]
Compact RO	[14]
Aquarium RO	[14]
Office RO	[16]
Direct Flow RO	[18]
Commercial RO	[18]
Industrial RO	[20-22]
RO Kit	[24-25]



UV

UV Sterilizer	[26]
---------------	--------



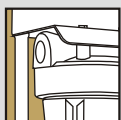
WATER SOFTENER

Water Softener	[23]
----------------	--------



FILTERS

Sediment Filter	[27]
Inline Filter	[28]
Carbon Filter	[30]
RO Membrane	[44]



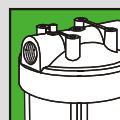
WHOLE HOUSE

Jumbo Filter	[47]
Whole House Filter	[48]
Countertop Water Filter	[48]



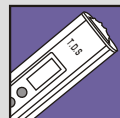
RO COMPONENTS

JACO	[31]
Quick Fitting	[32]
Ball Valve, Tank Valve	[33]
Mounting Clip	[33]
Housing Wrench	[34]
Pressure Switch	[34]
Auto Shut-Off Valve	[34]
Flow Restrictor	[34]
Pressure Gauge	[35]
Solenoid Valve	[35]
Self Piercing Valve	[35]
Feed Water Connector	[35-36]
Deliver Valve	[36]
Micro Computer Controller	[36]
Booster Pump	[37]
Bracket	[37-38]
Water Storage Tank	[39]
Faucet	[40-43]



HOUSING

Membrane Housing	[44]
Stainless Steel Pressure Vessel	[44]
Filter Housing	[46]



WATER TESTER

Water Tester	[50]
--------------	--------

RO SYSTEM

::ECONOMY RO

EC105 / Economy Type RO System



EC105
System: 37 x 45 x 20 (cm)
Tank: 28 x 28 x 35 (cm)
Weight: 12 kgs
Membrane: TFC-50 GPD
Faucet: #108
Tank: 3.2G NSF Tank

※ The system includes a standard set of component parts.

EC105P / Economy Type RO System



EC105P
System: 37 x 45 x 20 (cm)
Tank: 28 x 28 x 35 (cm)
Weight: 16 kgs
Membrane: TFC-50 GPD
Faucet: #108
Tank: 3.2G NSF Tank

※ The system includes a standard set of component parts.

EC106M / New 6 Stages with Mineral Filter



EC106M
System: 37 x 48 x 20 (cm)
Tank: 28 x 28 x 35 (cm)
Weight: 13 kgs
Membrane: TFC-50 GPD
Faucet: #108
Tank: 3.2G NSF Tank

※ The system includes a standard set of component parts.

EC106M-P / New 6 Stages with Mineral Filter



EC106M-P
System: 37 x 48 x 20 (cm)
Tank: 28 x 28 x 35 (cm)
Weight: 16 kgs
Membrane: TFC-50 GPD
Faucet: #108
Tank: 3.2G NSF Tank

※ The system includes a standard set of component parts.

EC106R / New 6 Stages with Infra-Red Filter



EC106R
System: 37 x 48 x 20 (cm)
Tank: 28 x 28 x 35 (cm)
Weight: 13 kgs
Membrane: TFC-50 GPD
Faucet: #108
Tank: 3.2G NSF Tank

※ The system includes a standard set of component parts.

EC106R-P / New 6 Stages with Infra-Red Filter



EC106R-P
System: 37 x 48 x 20 (cm)
Tank: 28 x 28 x 35 (cm)
Weight: 16 kgs
Membrane: TFC-50 GPD
Faucet: #108
Tank: 3.2G NSF Tank

※ The system includes a standard set of component parts.

EC106-DI / New 6 Stages with Deionization (DI) Filter



EC106-DI
System: 37 x 48 x 20 (cm)
Tank: 28 x 28 x 35 (cm)
Weight: 13 kgs
Membrane: TFC-50 GPD
Faucet: #108
Tank: 3.2G NSF Tank

※ The system includes a standard set of component parts.

EC106-PH / New 6 Stages with Alkaline Filter



EC106-PH
System: 37 x 48 x 20 (cm)
Tank: 28 x 28 x 35 (cm)
Weight: 13 kgs
Membrane: TFC-50 GPD
Faucet: #108
Tank: 3.2G NSF Tank

※ The system includes a standard set of component parts.



Dreams Come True Trust Your Eyes

EC105

You get quality & performance at prices that will surprise you!

The response of EC SERIES has been incredibly successful.

Why pay more?

Buy from the source and save money!

RO SYSTEM

:: TYPICAL RO

RO105 / 5 Stage RO Water System



RO105
System: 37 x 45 x 20 (cm)
Tank: 28 x 28 x 35 (cm)
Weight: 12 kgs
Membrane: TFC-80 GPD
Faucet: #101
Tank: 3.2G NSF Tank

※ The system includes a standard set of component parts.

RO101 / Standard Type RO Water System



RO101
System: 47 x 42 x 20 (cm)
Tank: 28 x 28 x 35 (cm)
Weight: 16 kgs
Membrane: TFC-80 GPD
Faucet: #101
Tank: 3.2G NSF Tank

※ The system includes a standard set of component parts.

RO105UV / 5 Stage RO Water System with UV



RO105UV
System: 37 x 48 x 20 (cm)
Tank: 28 x 28 x 35 (cm)
Weight: 13 kgs
Membrane: TFC-80 GPD
Faucet: #101
Tank: 3.2G NSF Tank

※ The system includes a standard set of component parts.

RO102 / Manual Flushing Membrane System



RO102
System: 47 x 42 x 20 (cm)
Tank: 28 x 28 x 35 (cm)
Weight: 16 kgs
Membrane: TFC-80 GPD
Faucet: #101
Tank: 3.2G NSF Tank

※ The system includes a standard set of component parts.

RO105TDS / Water Quality Monitor



RO105TDS
System: 37 x 42 x 20 (cm)
Tank: 28 x 28 x 35 (cm)
Weight: 12 kgs
Membrane: TFC-80 GPD
Faucet: #101
Tank: 3.2G NSF Tank

※ The system includes a standard set of component parts.

RO103 / Auto Flushing Membrane System



RO103
System: 47 x 42 x 20 (cm)
Tank: 28 x 28 x 35 (cm)
Weight: 18 kgs
Membrane: TFC-80 GPD
Faucet: #101
Tank: 3.2G NSF Tank

※ The system includes a standard set of component parts.

:: PUMP RO

RO101SV / Saving Space RO Water System



RO101SV
System: 37 x 45 x 20 (cm)
Tank: 28 x 28 x 35 (cm)
Weight: 16 kgs
Membrane: TFC-80 GPD
Faucet: #101
Tank: 3.2G NSF Tank

※ The system includes a standard set of component parts.

RO103TDS / Auto-Flush with TDS Display



RO103TDS
System: 47 x 42 x 20 (cm)
Tank: 28 x 28 x 35 (cm)
Weight: 18 kgs
Membrane: TFC-80 GPD
Faucet: #101
Tank: 3.2G NSF Tank

※ The system includes a standard set of component parts.

Enjoy Great Tasting Water

Your clear choice in drinking water systems

RO103TDS

Auto-Flush with TDS Display

PurePro's new reverse osmosis drinking water system not only looks better, but is also easier to maintain. Auto flushing membrane features always get the best quality water. Built-in TDS monitor to tell if the membrane needs to be replaced.

- Automatically flush the membrane
- TDS monitor showing water quality
- Best European designed faucet (included)
- PurePro's best seller unit



RO SYSTEM

:: RO + UV SYSTEM

EC105-UV / 5 Stage RO Water System with UV



EC105-UV
System: 37 x 45 x 20 (cm)
Tank: 28 x 28 x 35 (cm)
Weight: 13 kgs
Membrane: TFC-50 GPD
Faucet: #108
Tank: 3.2G NSF Tank

※ The system includes a standard set of component parts.

:: UV SYSTEM

3 Stage UV Filtration System



UV301
System: 37 x 45 x 20 (cm)
Weight: 6 kgs
UV Sterilizer: 1 GPM
Faucet: #108

※ The system includes a standard set of component parts.

EC106-MUV / 6 Stage RO Water System with UV



EC106-MUV
System: 37 x 482 x 20 (cm)
Tank: 28 x 28 x 35 (cm)
Weight: 14 kgs
Membrane: TFC-50 GPD
Faucet: #108
Tank: 3.2G NSF Tank

※ The system includes a standard set of component parts.

4 Stage UV Filtration System



UV401
System: 37 x 45 x 20 (cm)
Weight: 6.5 kgs
UV Sterilizer: 1 GPM
Faucet: #108

※ The system includes a standard set of component parts.

RO101SV-UV / 5 Stage RO Water System with UV



RO101SV-UV
System: 37 x 48 x 20 (cm)
Tank: 28 x 28 x 35 (cm)
Weight: 17 kgs
Membrane: TFC-80 GPD
Faucet: #101
Tank: 3.2G NSF Tank

※ The system includes a standard set of component parts.

5 Stage UV Filtration System with Infra-Red Filter



UV501-R
System: 37 x 45 x 20 (cm)
Weight: 8 kgs
UV Sterilizer: 1 GPM
Faucet: #108

※ The system includes a standard set of component parts.

RO103TDS-UV / 5 Stage RO Water System with UV



RO103TDS-UV
System: 47 x 42 x 20 (cm)
Tank: 28 x 28 x 35 (cm)
Weight: 19 kgs
Membrane: TFC-80 GPD
Faucet: #101
Tank: 3.2G NSF Tank

※ The system includes a standard set of component parts.

5 Stage UV Filtration System with Mineral Filter



UV501-M
System: 37 x 45 x 20 (cm)
Weight: 8 kgs
UV Sterilizer: 1 GPM
Faucet: #108

※ The system includes a standard set of component parts.

Is Your Water Safe to Drink?

Make your own Mineral Water / Purified Water at home.

Water purification system for every household to keep away Typhoid, Cholera, Hepatitis, E. coli and other water borne diseases.

R0101SV-UV

5 stage RO Water Purification System with Ultraviolet Sterilizer

A combination of best of worlds. RO and UV system.

UV system destroys bacteria, viruses and other micro organisms by interfering with the DNA and RNA in organisms' reproductive cycles.

RO system removes insoluble impurities as well as soluble impurities like pesticides, Fluorides, Heavy metals like Lead, Mercury and undesirable salts.



RO SYSTEM

::RO + UV SYSTEM

M800-MUV / 6 Stage RO Water System with UV



M800-MUV
System: 29 x 41 x 25 (cm)
Tank: 28 x 28 x 35 (cm)
Weight: 11.5kgs
Membrane: TFC-50 GPD
Faucet: #108
Tank: 3.2G NSF Tank

※ The system includes a standard set of component parts.

::S-SERIES

S800 / The World's Most Elegant RO with Quick-Change Cartridge



S800
System: 47 x 40 x 27 (cm)
Tank: 28 x 28 x 35 (cm)
Weight: 11.5kgs
Membrane: TFC-50 GPD
Faucet: #108
Tank: 2.2G NSF Tank

※ The system includes a standard set of component parts.

S500-UV / 5 Stage RO Water System with UV



S500-UV
System: 27 x 39.8 x 22.5 (cm)
Tank: 28 x 28 x 35 (cm)
Weight: 9.5 kgs
Membrane: TFC-50 GPD
Faucet: #108
Tank: 3.2G NSF Tank

※ The system includes a standard set of component parts.

S500 / Quick-Change Cartridges RO units



S500
System: 27 x 39.8 x 22.5 (cm)
Tank: 28 x 28 x 35 (cm)
Weight: 8.5 kgs
Membrane: TFC-50 GPD
Faucet: #108
Tank: 3.2G NSF Tank

※ The system includes a standard set of component parts.

S500-MUV / 6 Stage RO Water System with UV



S500-MUV
System: 27 x 39.8 x 22.5 (cm)
Tank: 28 x 28 x 35 (cm)
Weight: 10 kgs
Membrane: TFC-50 GPD
Faucet: #108
Tank: 3.2G NSF Tank

※ The system includes a standard set of component parts.

S300 / World's Most Attractive Filters



S300 (A, B, C)
System: 16 x 31.8 x 19.5 (cm)
Weight: 3.5 kgs
A: Feed Water Connector
B: Faucet #108
C: Countertop Parts Drinking Faucet

※ The system includes a standard set of component parts.

S800-MUV / 6 Stage RO Water System with UV



S800-MUV
System: 47 x 40 x 27 (cm)
Tank: 28 x 28 x 35 (cm)
Weight: 13 kgs
Membrane: TFC-50 GPD
Faucet: #108
Tank: 2.2G NSF Tank

※ The system includes a standard set of component parts.

Innovative RO systems No one else gives you a system like this



S800

Reverse Osmosis Drinking Water System

S800

PurePro's most elegant water system not only looks better, but is also easier to maintain. Use twist and quick-change cartridge design makes filter changes fast, clean and easy. No tools required for replacement.



RO SYSTEM

:: COUNTERTOP SYSTEM

ET-PURE / Your Own Bottled Water Factory



ET-PURE
System: 46 x 47 x 32.5 (cm)
Weight: 14 kgs
Membrane: TFC-80 GPD
Tank: 2.5G Portable Tank
※ The system includes a standard set of component parts.

:: M-SERIES

M800 / High Quality, Low Cost RO System with In-Line Cartridge Filters



M800
System: 29 x 41 x 25 (cm)
Tank: 28 x 28 x 35 (cm)
Weight: 10 kgs
Membrane: TFC-50 GPD
Faucet: #108
Tank: 3.2G NSF Tank
※ The system includes a standard set of component parts.

ASTROBOY / Countertop Smart RO System



ASTROBOY
System: 36 x 46 x 25 (cm)
Weight: 12.5 kgs
Membrane: TFC-80 GPD
Tank: 4.5G Portable Tank
※ The system includes a standard set of component parts.

M500 / 5 Stage In-Line Filter RO System



M500
System: 20 x 28 x 31.5 (cm)
Tank: 28 x 28 x 35 (cm)
Weight: 10 kgs
Membrane: TFC-50 GPD
Faucet: #108
Tank: 3.2G NSF Tank
※ The system includes a standard set of component parts.

MH943 / Water Distillers



MH943
System: 20 x 36 x 40 (cm)
Weight: 3.5 kgs
Stainless Steel Boiler: 4 Liters
Storage Bottle : 4 Liters
※ The system includes a standard set of component parts.

M300 / Mini, Space Saving, Easy Connection 4 stage Inline Filter RO system



M300
System: 13.5 x 19 x 35 (cm)
Tank: 28 x 28 x 35 (cm)
Weight: 9 kgs
Membrane: TFC-50 GPD
Faucet: #108
Tank: 3.2G NSF Tank
※ The system includes a standard set of component parts.

JA-103 / Water Ionizer



JA-103
System: 31.5 x 27.5 x 14 (cm)
Weight: 3.5 kgs
Filtration Capacity: 12,000L
Electrolysis Chamber Area: 450cm ²
※ The system includes a standard set of component parts.

JA-303 / Water Ionizer



JA-303
System: 31.5 x 27.5 x 14 (cm)
Weight: 3.7 kgs
Filtration Capacity: 12,000L
Electrolysis Chamber Area: 450cm ²
※ The system includes a standard set of component parts.

Health Delicacy Beauty



Water Ionizer JA-103

The world's best selling water ionizer, even though it has been on the market for only two years.

- Four levels of alkaline water
- Two levels of acid water, including super-oxide
- Filter water (non-ionized) - by Silver Coated Activated Carbon Filter
- Stainless steel output spout
- Water flow display indicator
- PH display indicator
- Built-in auto-flushing electrode
- Unique post-operation automatic and silent cleansing for extended lifespan
- Voice confirmation every time you select a different pH level
- Filter usage liquid crystal display indicator
- Easy 1-minute change filter compartment
- Optional ability to connect direct to plumbing and operate under mains pressure
- Coral calcium port



RO SYSTEM

:: COMPACT RO

RO202 / Portable RO System



RO202
System: 30 x 12 x 15 (cm)
Weight: 1.8 kgs
Membrane: TFC-200 GPD
※ The system includes a standard set of component parts.

:: AQUARIUM RO

FS201 / Mini Aquarium RO System



FS201
System: 30 x 16 x 12 (cm)
Weight: 2.8 kgs
Membrane: TFC-50 GPD
※ The system includes a standard set of component parts.

Double Star / Compact RO System with UV



Double Star
System: 35 x 45 x 15 (cm)
Tank: 28 x 28 x 35 (cm)
Weight: 12 kgs
Membrane: TFC-80 GPD
Faucet: #101
Tank: 3.2G NSF Tank
※ The system includes a standard set of component parts.

FS301 / Aquarium RO System



FS301
System: 28 x 35 x 15 (cm)
Weight: 4.8 kgs
Membrane: TFC-50 GPD
※ The system includes a standard set of component parts.

ROASIS / Innovative RO System



ROASIS
System: 19.5 x 39.7 x 20.7 (cm)
Tank: 28 x 28 x 35 (cm)
Weight: 12 kgs
Membrane: TFC-50 GPD
Faucet: #108
Tank: 3.2G NSF Tank
※ The system includes a standard set of component parts.

FS401 / Aquarium RO System



FS401
System: 37 x 45 x 20 (cm)
Weight: 6.5 kgs
Membrane: TFC-50 GPD
※ The system includes a standard set of component parts.

FS401P / Aquarium RO System



FS401P
System: 37 x 45 x 21 (cm)
Weight: 10 kgs
Membrane: TFC-50 GPD
※ The system includes a standard set of component parts.

AQUARIUM RO System

Clean, pure water is a priority for all fish.



FS301-DI Aquarium RO/DI system

No equipment is more effective in helping create ideal water conditions as Reverse Osmosis (RO) units. These units filter out up to 99% of chemicals found in tap water by forcing tap water through a semi-permeable membrane that removes 90-99% of tap water impurities. The result is water that is free of minerals and other contaminants.



RO SYSTEM

::OFFICE RO

Built-in 4 Stage RO System



CW-929P
System: 42 x 37 x 110 (cm)
Weight: 22.5 kgs
Membrane: TFC-50 GPD
Hot Water Tank: 2.5 Liters
Cold Water Tank: 4 Liters
Room Water Tank: 8 Liters
Filtration Stage: 4

※ The system includes a standard set of component parts.

Built-in 4 Stage RO System



CW-698P
System: 42 x 37 x 110 (cm)
Weight: 22.5 kgs
Membrane: TFC-50 GPD
Hot Water Tank: 2.5 Liters
Room Water Tank: 8 Liters
Filtration Stage: 4

※ The system includes a standard set of component parts.

Built-in 4 Stage RO System



Bonnie
System: 33 x 35 x 105 (cm)
Weight: 20 kgs
Cold Water Tank: 4 Liters
Hot Water Tank: 2.5 Liters
Filtration Stage: 4

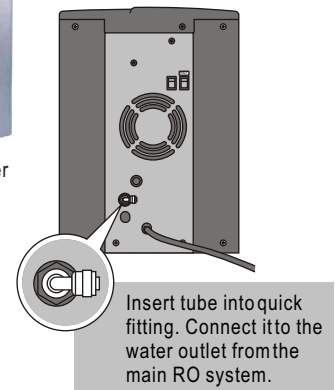
- Touch switch interface for cold and hot water
- Safety lock for hot water
- Digital display for cold and hot temperature
- Invisible cup dispenser
- Direct chill system
- Leak detector
- Chilling capacity up to 20L perhour
- Heating capacity up to 10L perhour

Countertop Water Cooler (Auto Fill Up)



PR-C / PR-CH
System: 33 x 35 x 42 (cm)
PR-C, cold water only
PR-CH, cold and hot water

Water dispenser, very good combination with undersink RO system (Auto fill up with RO water)



PURE-PRO



Quality WATER for Quality LIFE



Water cooler CW-929P

Built-in 4 stage RO system

Offer room, cold and hot drinking water

Cooler Features:

- Microprocessor control
- Independent Hot / Cold power switches
- Re-heating up to 100°C
- Built-in 4 stage RO system
- Tri-Temp; room, cold and hot water supply
- Automatic heating shut-off when hot tank is empty
- 2.5 gallon capacity reservoir

RO SYSTEM

::DIRECT FLOW RO

Super 380-Direct Flow



Super 380-Direct Flow
System: 38 x 25.5 x 46 (cm)
Weight: 18 kgs
Membrane: TFC-200 GPD x 2
Faucet: #101
※ The system includes a standard set of component parts.

::COMMERCIAL RO

RO200 / 200GPD Light Commercial RO System



RO200
System: 50 x 24 x 80 (cm)
Tank: 40 x 40 x 58 (cm)
Weight: 25 kgs
Membrane: TFC-100 GPD x 2
Faucet: #108
Tank: 11G NSF Tank
※ The system includes a standard set of component parts.

M800-Direct Flow



M800-Direct Flow
System: 29 x 25 x 41 (cm)
Weight: 10 kgs
Membrane: TFC-200 GPD x 2
Faucet: #101
※ The system includes a standard set of component parts.

RO400 / 400GPD Light Commercial RO System



RO400
System: 50 x 24 x 80 (cm)
Tank: 40 x 40 x 58 (cm)
Weight: 27 kgs
Membrane: TFC-200 GPD x 2
Faucet: #108
Tank: 11G NSF Tank
※ The system includes a standard set of component parts.

S800-Direct Flow



S800-Direct Flow
System: 47 x 27 x 40 (cm)
Weight: 11.5 kgs
Membrane: TFC-200 GPD x 2
Faucet: #101
※ The system includes a standard set of component parts.

RO600 / 600GPD Light Commercial RO System



RO600
System: 50 x 24 x 80 (cm)
Tank: 56 x 56 x 88 (cm)
Weight: 49 kgs
Membrane: TFC-200 GPD x 3
Faucet: #108
Tank: 20G NSF Tank
※ The system includes a standard set of component parts.

RO800 / 800GPD Light Commercial RO System



RO800
System: 50 x 24 x 80 (cm)
Tank: 56 x 56 x 88 (cm)
Weight: 59 kgs
Membrane: TFC-200 GPD x 4
Faucet: #108
Tank: 20G NSF Tank
※ The system includes a standard set of component parts.

System is equipped with High Flow Booster Pump
for increased water production capacity.

Unlimited direct flow of fresh water !!

Super 380-Direct Flow High Capacity RO System

The future of water filtration
is here !!!

A high capacity, low cost system.
Perfect for offices or small factory.
Designed for commercial and
residential application. It is suitable
for manufacturing, restaurants,
food processing industries,
shopping centers, schools
and hotels.



RO SYSTEM

::INDUSTRIAL RO

RO1500 / 1500GPD Industrial RO System



RO1500
System: 48 x 60 x 154 (cm)
Weight: 65 kgs
Membrane: 4040
※ The system is fully assembled, with 20" sediment filter x 1.

RO3000 / 3000GPD Industrial RO System



RO3000
System: 48 x 60 x 154 (cm)
Weight: 100 kgs
Membrane: 4040 x 2
※ The system is fully assembled, with 20" sediment filter x 2.

RO4500 / 4500GPD Industrial RO System



RO4500
System: 48 x 60 x 154 (cm)
Weight: 120 kgs
Membrane: 4040 x 3
※ The system is fully assembled, with 20" sediment filter x 2.

RO6000 / 6000GPD Industrial RO System



RO6000
System: 55 x 80 x 160 (cm)
Weight: 150 kgs
Membrane: 4040 x 4
※ The system is fully assembled, with 20" sediment filter x 2.

RO12000 / 12000GPD Industrial RO System

RO12000
System: 70 x 250 x 155 (cm)
Weight: 300 kgs
Membrane: 4040 x 8

※ Please contact PurePro to find out the best combination of your system.





Quality Water for Quality Life

Purification filter for laboratory and industrial using

R01500

Requirement for feed water

Feed water pressure :

2KG/cm² ~ 4KG/cm²

Hardness : < 50 PPM (AT CaCO₃)

Cl : < 0.1 PPM

Turbidity : < 1

Feed Water TDS : < 1000 PPM

RO SYSTEM



RO24000 / 24000GPD Industrial RO System

RO24000

System: 70 x 250 x 155 (cm)

Weight: 350 kgs

Membrane: 8040 x 4

※ Please contact PurePro to find out the best combination of your system.

Specification

Part Number	RO1500	RO3000	RO4500	RO6000	RO12000	RO15000	RO24000
Capacity	1500 GPD	3000 GPD	4500 GPD	6000 GPD	12000 GPD	15000 GPD	24000 GPD
Working Pressure	150-250 PSI						
Booster Pump	0.75KW(1HP) PROCON 2507	2.2KW(2HP) Vertical Type Multistage Booster Pump	2.5KW(2HP) Vertical Type Multistage Booster Pump	2.8KW(4HP) Vertical Type Multistage Booster Pump	3.2KW(4HP) Vertical Type Multistage Booster Pump	3.2KW(4HP) Vertical Type Multistage Booster Pump	3.5KW(5.5HP) Vertical Type Multistage Booster Pump
Membrane Material	T.F.C with FRP outer wrap						
Membrane Size x Unit	4040 x 1	4040 x 2	4040 x 3	4040 x 4	4040 x 8	4040 x 10	8040 x 4
Membrane Housing Material	304 stainless steel with caps						
Membrane Housing	4040 x 1	4040 x 2	4040 x 3	4040 x 4	4080 x 4	4080 x 5	8080 x 2
Flow Meters	Purewater / Wastewater						
Pressure Gauges	Feed water pressure / Booster pump outlet pressure gauges						
Water quality indicator	TDS meter with LCD						
Electrical Controls	Micro-computer control, overload breakers, LED indicators						
Frames Parts	Stainless steel main frame						
Dimensions LxWxH(mm)	480 x 600 x 1540		550 x 800 x 1600		700 x 2550 x 1550		
Weight	≈ 65kg	≈ 100kg	≈ 120kg	≈ 150kg	≈ 300kg	≈ 300kg	≈ 350kg
Optional Components	Work Flow Process Control Panel						
Pre-Filtration	2 x 20" Filter Housing (20" PP Cartridges 5u + UDF)				TK207 (20" PP Cartridges 5u x 7)		
※ Feed Water Requirements:							
Feed Water Pressure > 40PSI		Feed Water Temp. : 20~45°C			Feed Water TDS < 1000PPM		
SDI < 3		turbidity < 1 NTU			iron < 0.1PPM		
PH : 3~11		oxidizer < 0 PPM			hardness < 5PPM		

WATER SOFTENER

PurePro whole house filters for Iron and Manganese reduction.

Iron is one of the most common elements found in nature, and most ground waters contain a measurable amount of iron. Iron stains bathtubs, toilets, sinks, driveways and it will even stain the side of your house in sufficient concentrations. Watts offers two media types to remove Iron in point-of-entry applications.

Two media types

FILOX™

A non-chemical oxidizing media to reduce Iron.

Greensand-Plus™

An enhanced version of the traditional medium to remove Iron from water.

Filox™ system advantages

- Highest flow rate of any Iron removal media.
- No oxidizing chemicals needed for regeneration.
- High efficiency with 80% Manganese dioxide for enhanced performance and capacity.
- Effective, from 5.0 to 9.0 pH.
- System is easy to program, with 10 pre-programmed regeneration cycles to optimize water treatment.

Greensand-Plus™ system advantage

- Lower backwash requirements.
- Known saturation capacity.
- Higher temperatures and differential pressures than traditional Manganese Greensand.
- Greensand-Plus is also used for radium reduction.
- User friendly, low maintenance electronic time clock valve.



Note:

The use of chemicals and oxidizers, such as chlorine, potassium permanganate and oxygen may be required for both systems to provide the optimal treatment for Iron, Hydrogen Sulfide and Manganese.

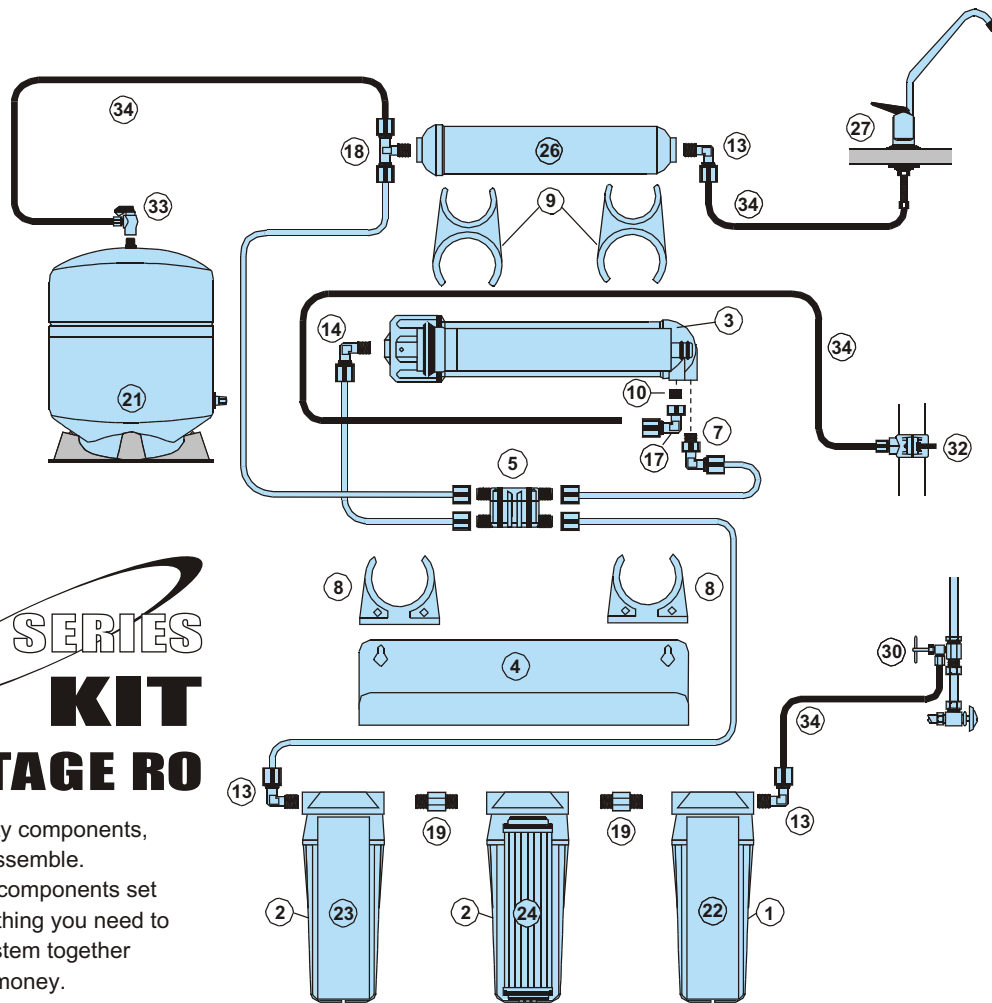
Specification

Part Number	Volume	Flow Rate	Turbidity	Controller	Thread	Dimension
YS-1035	30 Liters	27 GPM	NTU < 5	Timer	1"	10" x 35"
YS-1054	50 Liters	27 GPM	NTU < 5	Timer	1"	10" x 54"
YS-1354	80 Liters	27 GPM	NTU < 10	Timer	1"	13" x 54"
YS-1465	100 Liters	27 GPM	NTU < 10	Timer	1"	14" x 65"
YS-1665	120 Liters	27-50 GPM	NTU < 10	Timer	1"-1&1/2"	16" x 65"

RO KIT

ERO SERIES KIT 5 STAGE RO

High quality components,
ready to assemble.
Complete components set
with everything you need to
put the system together
and save money.

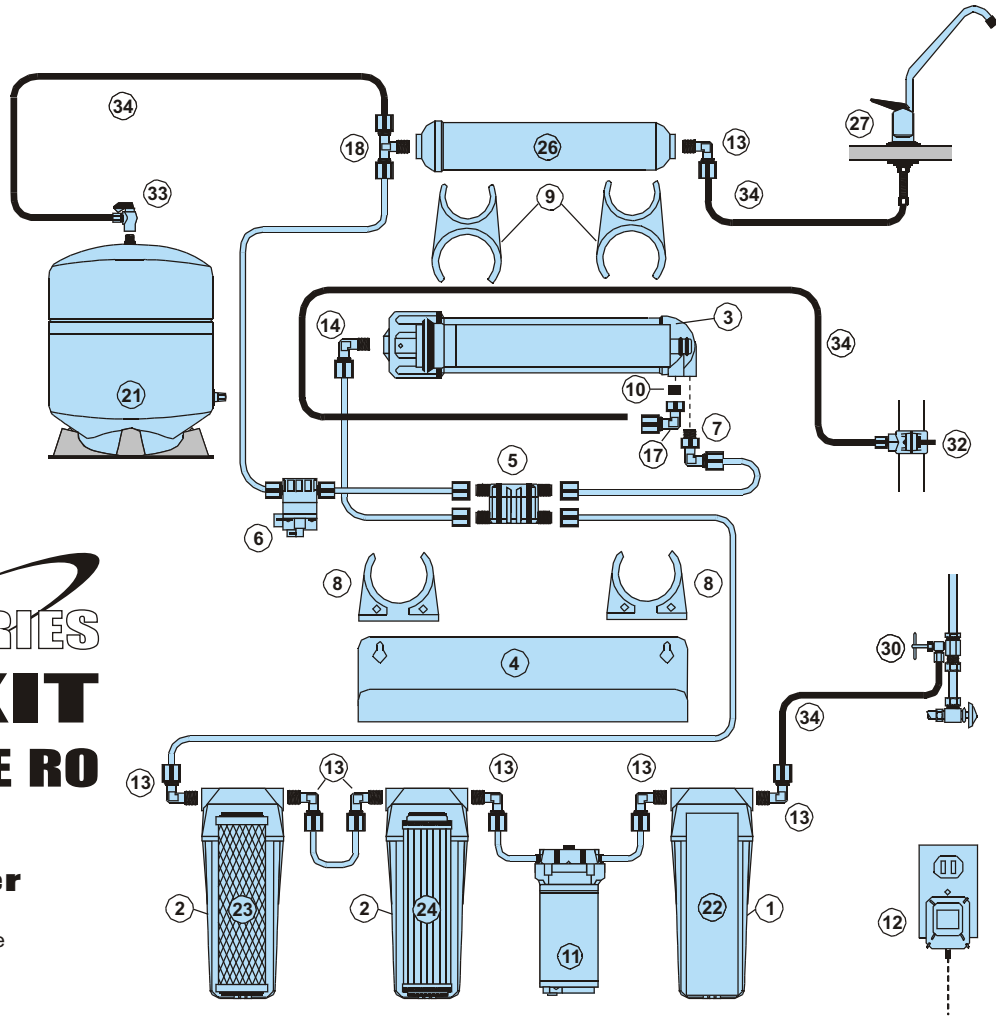


EC105 KIT (5 STAGE RO)

NO.	PART#	DESCRIPTION	QTY.	NO.	PART#	DESCRIPTION	QTY.
1	11011	10" housing 1/4"NPT Clear	1	21	02001	Water storage tank 3.2G Steel Made	1
2	11012	10" housing 1/4"NPT White / Opaque	2	22	03001	5 micron 10" spun sediment filter	1
3	11031	Membrane Housing White 1812	1	23	03002	1 micron 10" spun sediment filter	1
4	12001	Housing Bracket White	1	24	04008	10" activated carbon filter	1
5	08015	Auto Shut-Off Valve	1	25	05004	TFC type membrane 50GPD Made in USA	1
7	08017	Check Valve, Stainless Steel	1	26	04007	Post Carbon Filter	1
8	08006	Single Clip	2	27	108	Brass Type Faucet	1
9	08007	Double Clip	2	28	08037	1/2" Feed Water Connector (optional)	0
10	08023	Mini Flow Restrictor	1	29	08040	1/4" deliver valve (optional)	0
13	06021	4044 Jaco	3	30	08039	Needle Valve	1
14	06020	4042 Jaco	2	31	08032	Housing Wrench , Full Circle	1
18	06038	7544 Jaco	1	32	08027	Drain Water connector	1
19	06001	1042 Jaco	2	33	08001	Tank ball valve 90 degree 1/4"NPT	1
20	06041	Fitting nut	7	34	13001	Color Tubing (White, Black, Blue, Red)	1

**ERO SERIES
KIT
5 STAGE RO**

**Booster
Pump**
Low Pressure



EC105P KIT (5 STAGE RO / BOOSTER PUMP)

NO.	PART#	DESCRIPTION	QTY.	NO.	PART#	DESCRIPTION	QTY.
1	11011	10" housing 1/4"NPT Clear	1	18	06038	7544 Jaco	1
2	11012	10" housing 1/4"NPT White / Opaque	2	19	06001	1042 Jaco	1
3	11031	Membrane Housing White 1812	1	20	06041	Fitting nut	16
4	12001	Housing Bracket White	1	21	02001	Water storage tank 3.2G Steel Made	1
5	08015	Auto Shut-Off Valve	1	22	03001	5 micron 10" spun sediment filter	1
6	08009	Tank Shut-of Switch	1	23	04010	Block carbon filter	1
7	08017	Check Valve, Stainless Steel	1	24	04008	10" activated carbon filter	1
8	08006	Single Clip	2	25	05004	TFC type membrane 50GPD Made in USA	1
9	08007	Double Clip	2	26	04007	Post Carbon Filter	1
10	08023	Mini Flow Restrictor	1	27	108	Brass Type Faucet	1
11	10011	Booster Pump	1	28	08037	1/2" Feed Water Connector (optional)	0
12	10003	Pump Transformer	1	29	08040	1/4" deliver valve (optional)	0
13	06021	4044 Jaco	7	30	08039	Needle Valve	1
14	06020	4042 Jaco	2	31	08032	Housing Wrench , Full Circle	1
15	06002	1044 Jaco	2	32	08027	Drain Water connector	1
16	06022	4046 Jaco	2	33	08001	Tank ball valve 90 degree 1/4"NPT	1
17	06027	4542 Jaco	1	34	13001	Color Tubing (White, Black, Blue, Red)	1

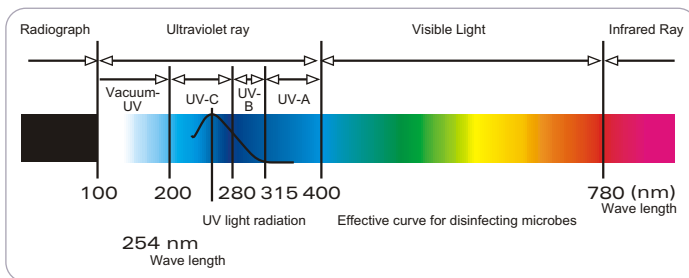
PUREPRO ULTRAVIOLET WATER STERILIZER

The knack of 1gpm PUREPRO UV system lies in applying the 254nm ultraviolet rays (UV-C) to cause immediate death for organisms or wipe out their ability to survive and reproduce.

How does the UV work for destroying the bacteria, virus and other micro-organisms

We all know sun light can be used in sterilizing, actually what functioned is Ultraviolet ray only. Ultraviolet was found about 200 years ago and through years of survey and experiment, science has proved it's effect in killing the virus and bacteria. ultraviolet is divided by A, B, C waves and 240~260nm out of C wave is the most effective ray with sterilizing ability and the strongest point is 253.7nm. The light wave is able to kill the DNA of virus and bacteria and make it unable to reproduce.

Electromagnetic wave drawing



Features of Ultraviolet Water Sterilizer :

1. Use high quality hard quartz material lamp and sleeve to keep high output of 253.7nm.
2. Quick and simple installation.
3. Long service life save your money.
4. Visual LED display indicator failure.
5. Polished stainless steel reactor chamber strengthen the UV reflection.
6. The most natural way to protect your water safely.
7. Easy lamp replacement and maintenance.
8. Wide application used in many water treatment areas.
9. Without adding any chemical complexes nor change the taste of odor of the water and does not remove any beneficial minerals in water.
10. Able to kill 99.9% destruction of bacteria and virus under standard water quality and flow.
11. Destroy bacteria and inactive various viruses.



Specification

Part Number	Flow Rate	Inlet / Outlet	Power	Electronic Ballast	Alarm	UV Lamp	Lamp Watts	Quartz Sleeve	Dimension(mm)
141501	1 GPM	1/4" NPTM	120 V, 240 V(50 / 60 Hz)	6W	No	254 nm	6W	Yes	320(L) x 50.5(Dia.)
141502	2 GPM	1/4" NPTM	120 V, 240 V(50 / 60 Hz)	14W	No	254 nm	14W	Yes	340(L) x 64(Dia.)
141503	6 GPM	1/2" NPTM	120 V, 240 V(50 / 60 Hz)	32W	Yes	254 nm	32W	Yes	680(L) x 64(Dia.)
141504	12 GPM	3/4" NPTM	120 V, 240 V(50 / 60 Hz)	40W	Yes	254 nm	39W	Yes	900(L) x 64(Dia.)

FILTER CARTRIDGE

:: SEDIMENT FILTER

Polypropylene Fiber Type Cartridges - remove: sand, rust & suspension solids



Part Number	Dimensions	Filtration	Capacity	Max. Working Temperature	Longevity*		Pressure Drop
	inch	µm	l / min	°C	liters	month	bar
03001	9 7/8 x 2 1/2	5	20	2 - 45(35.6°F - 113°F)	12000 (3170.1 gallons)	3 - 6	0.2 - 0.4
03002	9 7/8 x 2 1/2	1	20	2 - 45(35.6°F - 113°F)	12000 (3170.1 gallons)	3 - 6	0.2 - 0.4
03003	9 7/8 x 2 1/2	5	40	2 - 45(35.6°F - 113°F)	24000 (6340.1 gallons)	3 - 6	0.3 - 0.5
03004	20 x 2 1/2	5	30	2 - 45(35.6°F - 113°F)	16000 (4226.8 gallons)	3 - 6	0.2 - 0.4
03005	20 x 2 1/2	20	30	2 - 45(35.6°F - 113°F)	16000 (4226.8 gallons)	3 - 6	0.2 - 0.4
03006	20 x 4 1/2	5	60	2 - 45(35.6°F - 113°F)	24000 (6340.1 gallons)	3 - 6	0.3 - 0.5
03007	4 7/8 x 2 1/2	5	10	2 - 45(35.6°F - 113°F)	8000 (2113.4 gallons)	3 - 6	0.1 - 0.3
03008	30 x 2 1/2	5	60	2 - 45(35.6°F - 113°F)	36000 (9510.2 gallons)	3 - 6	0.2 - 0.4

Polypropylene String Type Cartridges - remove: sand, rust & suspension solids



Part Number	Dimensions	Filtration	Capacity	Max. Working Temperature	Longevity*		Pressure Drop
	inch	µm	l / min	°C	liters	month	bar
03023	9 7/8 x 2 1/2	1	20	2 - 45(35.6°F - 113°F)	12000 (3170.1 gallons)	3 - 6	0.2 - 0.4
03024	9 7/8 x 2 1/2	5	20	2 - 45(35.6°F - 113°F)	12000 (3170.1 gallons)	3 - 7	0.2 - 0.4
03025	9 7/8 x 2 1/2	10	20	2 - 45(35.6°F - 113°F)	12000 (3170.1 gallons)	3 - 8	0.2 - 0.4
03026	9 7/8 x 2 1/2	20	20	2 - 45(35.6°F - 113°F)	12000 (3170.1 gallons)	3 - 9	0.2 - 0.4
03027	9 7/8 x 2 1/2	50	20	2 - 45(35.6°F - 113°F)	12000 (3170.1 gallons)	3 - 10	0.2 - 0.4
03028	9 7/8 x 2 1/2	100	20	2 - 45(35.6°F - 113°F)	12000 (3170.1 gallons)	3 - 11	0.2 - 0.4
03029	9 7/8 x 4 1/2	5	60	2 - 45(35.6°F - 113°F)	18000 (4755.1 gallons)	3 - 12	0.3 - 0.5
03030	9 7/8 x 4 1/2	20	60	2 - 45(35.6°F - 113°F)	18000 (4755.1 gallons)	3 - 13	0.3 - 0.5
03031	20 x 4 1/2	5	60	2 - 45(35.6°F - 113°F)	24000 (6340.1 gallons)	3 - 14	0.3 - 0.5
03032	20 x 4 1/2	20	60	2 - 45(35.6°F - 113°F)	24000 (6340.1 gallons)	3 - 15	0.3 - 0.5

Reusable Polyester Type Cartridges - remove: sand, rust & suspension solids



Part Number	Dimensions	Filtration	Capacity	Max. Working Temperature	Longevity*		Pressure Drop
	inch	µm	l / min	°C	liters	month	bar
03033	9 7/8 x 2 1/2	10	20	2 - 45(35.6°F - 113°F)	10000 (2641.7 gallons)	3 - 6	0.2 - 0.4
03034	9 7/8 x 2 1/2	20	20	2 - 45(35.6°F - 113°F)	10000 (2641.7 gallons)	3 - 7	0.2 - 0.4
03035	20 x 2 1/2	5	20	2 - 45(35.6°F - 113°F)	12000 (3170.1 gallons)	3 - 8	0.2 - 0.4
03036	20 x 2 1/2	20	20	2 - 45(35.6°F - 113°F)	12000 (3170.1 gallons)	3 - 9	0.2 - 0.4
03037	9 7/8 x 4 1/2	5	30	2 - 45(35.6°F - 113°F)	14000 (3698.4 gallons)	3 - 10	0.2 - 0.4
03038	9 7/8 x 4 1/2	20	30	2 - 45(35.6°F - 113°F)	14000 (3698.4 gallons)	3 - 11	0.2 - 0.4
03039	9 7/8 x 4 1/2	30	30	2 - 45(35.6°F - 113°F)	14000 (3698.4 gallons)	3 - 12	0.2 - 0.4
03040	20 x 4 1/2	5	60	2 - 45(35.6°F - 113°F)	20000 (5283.4 gallons)	3 - 13	0.2 - 0.4
03041	20 x 4 1/2	20	60	2 - 45(35.6°F - 113°F)	20000 (5283.4 gallons)	3 - 14	0.2 - 0.4

※ Cartridge longevity and performance depend on water usage and level of contamination.

FILTER CARTRIDGE

:: IN-LINE FILTER

PF5 5 Micron Sediment Filter



Part Number	Dimensions	Female Type Thread	Capacity	Max. Working Temperature	Longevity*
	mm	inch	l / h	°C	liters
04027	254 x 52	1/4	283 / 24	2 - 45(35.6°F - 113°F)	5813 (1500 gallons)

Post Carbon Filter



Part Number	Dimensions	Female Type Thread	Capacity	Max. Working Temperature	Longevity*
	mm	inch	l / h	°C	liters
04007	254 x 52	1/4	283 / 24	2 - 45(35.6°F - 113°F)	5678 (1500 gallons)

KF5633 Sediment Filter



Part Number	Dimensions	Female Type Thread	Capacity	Max. Working Temperature	Longevity*
	mm	inch	l / h	°C	liters
KF5633PP	280 x 65	1/4	283 / 24	2 - 45(35.6°F - 113°F)	5678 (1500 gallons)

KF5633 Granular Activated Carbon Filter



Part Number	Dimensions	Female Type Thread	Capacity	Max. Working Temperature	Longevity*
	mm	inch	l / h	°C	liters
KF5633GAC	280 x 65	1/4	283 / 24	2 - 45(35.6°F - 113°F)	5678 (1500 gallons)

Infra-Red Filter



Part Number	Dimensions	Female Type Thread	Capacity	Max. Working Temperature	Longevity*
	mm	inch	l / h	°C	liters
04031	254 x 52	1/4	250 / 24	2 - 45(35.6°F - 113°F)	5678 (1500 gallons)

Mineral Filter



Part Number	Dimensions	Female Type Thread	Capacity	Max. Working Temperature	Longevity*
	mm	inch	l / h	°C	liters
04032	254 x 52	1/4	283 / 24	2 - 45(35.6°F - 113°F)	5678 (1500 gallons)

Alkaline (PH) Filter



Part Number	Dimensions	Female Type Thread	Capacity	Max. Working Temperature	Longevity*
	mm	inch	l / h	°C	liters
04033	254 x 52	1/4	250 / 24	2 - 45(35.6°F - 113°F)	2839 (750 gallons)

Deionization (DI) Filter



Part Number	Dimensions	Female Type Thread	Capacity	Max. Working Temperature	Longevity*
	mm	inch	l / h	°C	liters
03300	285 x 60	1/4	200 / 24	2 - 45(35.6°F - 113°F)	1893 (500 gallons)

※ Cartridge longevity and performance depend on water usage and level of contamination.

A professional partner to bring you clean water

PurePro, a clean life maker with premium activated carbon water & air filters for residential, commercial and industrial usage.

Based on the core technology of activated carbon, bacteria resistance, purification medias, and application research, PurePro is your right professional partner to provide a total solution in water purification with value of cost effective, advance design, constant quality, supply chain management, and full range production line water filter cartridges for Pre-filtering and post-filtering of from the off-the shelf & OEM/ODM capability, and the application system including compact direct floe Tankless Reverse Osmosis purifier, and mineral water purifier.



FILTER CARTRIDGE

:: UDF - GRANULAR ACTIVATED CARBON

Activated Carbon with UDF Type Cartridges - remove: bacteria, viruses, hydrogen sulphide, chlorine, lead, arsenic, cadmium, as well as lower iron concentration in water



Part Number	Dimensions	Capacity l / min	Max. Working Temperature °C	Longevity*		Pressure Drop bar
	inch			liters	month	
04007	UDF-5 5" x 2.5"	6	2 - 45 (35.6°F - 113°F)	3600 (951 gallons)	3 - 6	0.2 - 0.4
04008	UDF-10 10" x 2.5"	6	2 - 45 (35.6°F - 113°F)	7200 (1902 gallons)	3 - 6	0.3 - 0.5
04008-B	UDF-10 10" x 4.5"	12	2 - 45 (35.6°F - 113°F)	14600 (3856.9 gallons)	3 - 6	0.3 - 0.5
04009	UDF-20 20" x 2.5"	12	2 - 45 (35.6°F - 113°F)	10800 (2853.1 gallons)	3 - 6	0.3 - 0.5
04009-B	UDF-20 20" x 4.5"	18	2 - 45 (35.6°F - 113°F)	21600 (5706.1 gallons)	3 - 6	0.3 - 0.5

:: CARBON BLOCK FILTER

Carbon Block Type Cartridges - remove: organic compounds, chlorine, improve taste and aroma of water



Part Number	Dimensions	Capacity l / min	Max. Working Temperature °C	Longevity*		Pressure Drop bar
	inch			liters	month	
04010	CTO-10 10" x 2.5"	6	2 - 45 (35.6°F - 113°F)	8000 (2113.4 gallons)	3 - 6	0.2 - 0.4
04011	CTO-20 20" x 2.5"	12	2 - 45 (35.6°F - 113°F)	12000 (3170.1 gallons)	3 - 6	0.2 - 0.4
04012	CTO-10 10" x 4.5"	20	2 - 45 (35.6°F - 113°F)	16000 (4226.8 gallons)	3 - 6	0.2 - 0.3
04013	CTO-20 20" x 4.5"	30	2 - 45 (35.6°F - 113°F)	24000 (6340.1 gallons)	3 - 6	0.2 - 0.3

:: REFILLABLE CARTRIDGE FILTER

Dissolved Iron Removal Type Cartridges - eliminate: metallic taste & aroma of water



Part Number	Dimensions	Capacity l / min	Max. Working Temperature °C	Longevity*		Pressure Drop bar
	inch			liters	month	
04014	10" x 2.5" (Empty)	-	-	-	-	-
04015	10" x 4.5" (Empty)	-	-	-	-	-
04016	20" x 2.5" (Carbon inside)	5	2 - 45 (35.6°F - 113°F)	3000 (792.6 gallons)	3 - 6	0.2 - 0.4
04019	10" x 4.5" (Carbon inside)	12	2 - 45 (35.6°F - 113°F)	4000 (1056.7 gallons)	3 - 6	0.3 - 0.5
04020	20" x 4.5" (Carbon inside)	18	2 - 45 (35.6°F - 113°F)	8000 (2113.4 gallons)	3 - 6	0.3 - 0.5

※ Cartridge longevity and performance depend on water usage and level of contamination.

RO COMPONENTS

:: FITTING CONNECTOR

JACO Fitting



Part Number	06001 / JACO-1042
Description	Male Connector 1/4" x 1/8"
Part Number	06002 / JACO-1044
Description	Male Connector 1/4" x 1/4"
Part Number	06003 / JACO-1046
Description	Male Connector 1/4" x 3/8"
Part Number	06005 / JACO-1064
Description	Male Connector 3/8" x 1/4"
Part Number	06006 / JACO-1066
Description	Male Connector 3/8" x 3/8"

JACO Fitting



Part Number	06010 / JACO-1544
Description	Union & Reducing Union 1/4"
Part Number	06011 / JACO-1564
Description	Union & Reducing Union 1/4"
Part Number	06012 / JACO-1566
Description	Union & Reducing Union 3/8"

JACO Fitting



Part Number	06020 / JACO-4042
Description	Male Elbow 1/4" x 1/8"
Part Number	06021 / JACO-4044
Description	Male Elbow 1/4" x 1/4"
Part Number	06022 / JACO-4046
Description	Male Elbow 1/4" x 3/8"
Part Number	06023 / JACO-4064
Description	Male Elbow 3/8" x 1/4"
Part Number	06024 / JACO-4066
Description	Male Elbow 3/8" x 3/8"
Part Number	06027 / JACO-4542
Description	Female Elbow 1/4" x 1/8"

Check Valve



Part Number	08017 (For Pump-Type)
Description	Stainless Steel
Part Number	08017-1
Description	Stainless Steel

JACO Fitting



Part Number	06030 / JACO-6042
Description	Male Branch Tee 1/4" x 1/8"
Part Number	06031 / JACO-6044
Description	Male Branch Tee 1/4" x 1/4"
Part Number	06032 / JACO-6046
Description	Male Branch Tee 1/4" x 3/8"
Part Number	06033 / JACO-6066
Description	Male Branch Tee 3/8" x 3/8"

JACO Fitting



Part Number	06036 / JACO-7044
Description	Union Tee 1/4"
Part Number	06037 / JACO-7066
Description	Union Tee 3/8"

JACO Fitting



Part Number	06038 / JACO-7544
Description	Male Run Tee 1/4" x 1/4"
Part Number	06039 / JACO-7566
Description	Male Run Tee 3/8" x 3/8"

JACO Fitting Nut



Part Number	06041
Description	Fitting 1/4"
Part Number	06042
Description	Fitting 3/8"

JACO Fitting Nippon



Part Number	06044
Description	Nipple 1/4"
Part Number	06045
Description	Nipple 3/8"
Part Number	06046
Description	Nipple 1/2"
Part Number	06047
Description	Nipple 3/4"

RO COMPONENTS

Quick Fitting Male Connector



Part Number	MC0402
Description	1/4" Tube x 1/8" NPT Thread
Part Number	MC0404
Description	1/4" Tube x 1/4" NPT Thread
Part Number	MC0406
Description	1/4" Tube x 3/8" NPT Thread
Part Number	MC0604
Description	3/8" Tube x 1/4" NPT Thread
Part Number	MC0606
Description	3/8" Tube x 3/8" NPT Thread
Part Number	MC0608
Description	3/8" Tube x 1/2" NPT Thread

Quick Fitting Union Connector



Part Number	UC0404
Description	1/4" Tube x 1/4" Tube
Part Number	UC0604
Description	3/8" Tube x 1/4" Tub
Part Number	UC0606
Description	3/8" Tube x 3/8" Tub

Quick Fitting Femal



Part Number	FA04-716
Description	1/4" Tube x 7/16" Femal .17.5mm
Part Number	FA06-716
Description	3/8" Tube x 7/16" Femal .17.5mm
Part Number	FA0404
Description	1/4" Tube x 1/4" Femal .20.5mm

Quick Fitting Male Elbow



Part Number	ME0402
Description	1/4" Tube x 1/8" NPT Thread
Part Number	ME0404
Description	1/4" Tube x 1/4" NPT Thread
Part Number	ME0406
Description	1/4" Tube x 3/8" NPT Thread
Part Number	ME0604
Description	3/8" Tube x 1/4" NPT Thread
Part Number	ME0606
Description	3/8" Tube x 3/8" NPT Thread

Quick Fitting



Part Number	BU0404
Description	Male Connector 1/4" x 1/4"
Part Number	BU0406
Description	Male Connector 1/4" x 3/8"
Part Number	BU0606
Description	Male Connector 3/8" x 3/8"

Quick Fitting Union Elbow



Part Number	UE0404
Description	1/4" Tube x 1/4" Tube
Part Number	UE0604
Description	3/8" Tube x 1/4" Tub
Part Number	UE0606
Description	3/8" Tube x 3/8" Tub

Quick Fitting Union



Part Number	UT0404
Description	1/4" Tube x 1/4" Tube x 1/4" Tube
Part Number	UT0604
Description	1/4" Tube x 1/4" Tube x 3/8" Tube
Part Number	UT0606
Description	3/8" Tube x 3/8" Tube x 3/8" Tube

Quick Fitting Connector



Part Number	TWD0404
Description	1/4" In x 1/4" Out x 1/4" Out
Part Number	TWD0604
Description	3/8" In x 1/4" Out x 1/4" Out
Part Number	TWD0606
Description	3/8" In x 3/8" Out x 3/8" Out

Quick Fitting Male Run Tee



Part Number	MRT0404
Description	1/4" Tube x 1/4" NPT Thread x 1/4" Tube
Part Number	MRT0606
Description	3/8" Tube x 3/8" NPT Thread x 3/8" Tube

Quick Fitting Male Branch Tee



Part Number	MBT0404
Description	1/4" Tube x 1/4" Tube x 1/4" NPT Thread
Part Number	MBT0606
Description	3/8" Tube x 3/8" Tube x 3/8" NPT Thread

RO COMPONENTS

:: BALL VALVE, TANK VALVE

Tank Ball Valve Elbow



Part Number	08001
Description	1/4" x 1/4" Elbow JACO Connector

Tank Ball Valve Elbow Quick Connector



Part Number	08001-1
Description	1/4" x 1/4" Elbow Quick Connector
Part Number	08001-2
Description	3/8" x3/8" Elbow Quick Connector

Ball Valve - Union Quick Connector



Part Number	08001-4
Description	1/4" x 1/4" Quick Connector
Part Number	08001-4-1
Description	3/8" x3/8" Quick Connector

Ball Valve - Elbow Quick Connector



Part Number	08001-5
Description	1/4" x 1/4" Elbow Quick Connector
Part Number	08001-6
Description	1/4" x3/8" Elbow Quick Connector

Ball Valve - Femal Connector



Part Number	08003
Description	1/4" x 1/4" Straight Female Connector

Ball Valve



Part Number	08004
Description	1/4" x 1/4" Straight Connector

:: MOUNTING CLIP

Single Clip



Part Number	08005
Description	2" Inline Filter Clip (Small)

Single Clip



Part Number	08006
Description	2 1/2" Membrane Clip (Big)

Double Clip



Part Number	08007
Description	2 1/2" x 2" (Membrane / Inline Filter)

Double Clip



Part Number	08008
Description	2 1/2" x 2 1/2" Double Clips (Big)

Double Clip



Part Number	08008-1
Description	2" X 2" Double Clip (Small)

Drain Water Connector A



Part Number	08027
-------------	-------

Drain Water Connector B



Part Number	08028
-------------	-------

RO COMPONENTS

:: HOUSING WRENCH

Housing Wrench Full Circle 10"



Part Number 08032

Housing Wrench Double Side



Part Number 08032-A

Housing Wrench 20"



Part Number 08033

Housing Wrench For Big Blue 10", 20"



Part Number 08034

:: PRESSURE SWITCH

High Pressure Switch



Part Number 08009

Description Tank Shut-Off Switch

Low Pressure Switch



Part Number 08010

Description Low Pressure Switch

:: AUTO SHUT-OFF VALVE

Auto Shut-Off Valve (JACO)



Part Number 08015

Description 4 x 1/4" Tube

Auto Shut-Off Valve (Quick Fitting Connector)



Part Number 08016

Description 4 x 1/4" Tube

:: FLOW RESTRICTOR

Flow Restrictor (JACO Type)



Part Number 08021

Description Flow Restrictor 300ML

Flow Restrictor (Quick Fitting Connector)



Part Number 08022

Description Flow Restrictor 300ML

Mini Flow Restrictor (EC-Series)



Part Number 08023

Description Flow Restrictor 300ML

Flow Restrictor (With Manual Flushing Valve)



Part Number 08024

RO COMPONENTS

:: PRESSURE GAUGE

Pressure Gauge



Part Number	08050
Description	Installed before Membrane

Pressure Gauge



Part Number	08051
Description	0-10 Bar

:: SOLENOID VALVE

Solenoid Valve (Round Type)



Part Number	08057
Description	Solenoid Valve 1/4"

Solenoid Valve (Square Type)



Part Number	08058
Description	Solenoid Valve 1/4"
Part Number	08059
Description	Solenoid Valve 1/2"

:: SELF PIERCING VALVE

Self Piercing Valve



Part Number	08039
Description	Self Piercing Valve 1/4"

Self Piercing Valve



Part Number	08039-1
Description	Self Piercing Valve 1/4"

:: FEED WATER CONNECTOR

Feed Water Connector



Part Number	08035
Description	Feed Water Connector 1/2"

Feed Water Connector



Part Number	08036
Description	Feed Water Connector 3/8"

Feed Water Connector



Part Number	08037
Description	Feed Water Connector 1/2"

Feed Water Connector



Part Number	08038
Description	Feed Water Connector 3/4"

1/2" Feed Water Connector



Part Number	08052
Description	Garden Hose Adapter 1/4" Tube

1/2" Feed Water Connector



Part Number	08053
Description	Garden Hose Adapter 3/8" Tube

RO COMPONENTS

Feed Water Connector Kit



Part Number 08042

Feed Water Connector Kit



Part Number 08043

Feed Water Connector Kit



Part Number 08044

Feed Water Connector Kit



Part Number 08045

Feed Water Connector Kit



Part Number 08046

Feed Water Connector Kit



Part Number 08047

Countertop Parts Drinking Faucet



Part Number 08048

:: DELIVER VALVE

Deliver Valve



Part Number 08040
Description Deliver Valve 1/4" Tube

Deliver Valve



Part Number 08041
Description Deliver Valve 3/8" Tube

:: MICRO COMPUTER CONTROLLER

103 Box Micro Processor



Part Number 08054
※ Available in 110~120V or 220~240V

103TDS Box Micro Processor



Part Number 08055
※ Available in 110~120V or 220~240V

105TDS Box Light Indicator



Part Number 08056

RO COMPONENTS

:: BOOSTER PUMP

PurePro Booster Pump



Part Number	10011
Voltage	DC 24 V
Pressure	70~100 PSI
Inlet "0"	By Pass 80 PSI
Power	100 GPD
Ports	3/8" 18 NPT

:: BRACKET

RO Bracket (Steel Made)



Part Number	12001
-------------	-------

Pump Bracket (Steel Made)



Part Number	12002
-------------	-------

RO Bracket (Aluminum Made)



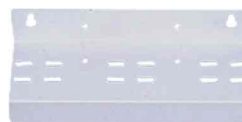
Part Number	12003
-------------	-------

Pump Bracket (Aluminum Made)



Part Number	12004
-------------	-------

Bracket For 3 x Filter Housing



Part Number	12005
-------------	-------

Faucet Bracket For Faucets (plastic)



Part Number	12006
-------------	-------

Pump Transformer CE Approved



Part Number	10001
Voltage	DC 24 V

※ Available in 110~120V or 220~240V

High Flow Booster Pump With Transformer



Part Number	10005
Voltage	DC 24 V
Pressure	70~100 PSI
Inlet "0"	By Pass 110 PSI
Power	300 GPD
Ports	3/8" 18 NPT

Super Pump



Part Number	10007
Dimensions	280L x 120H x 120W (mm)
Water Inlet	1/4"
Fitting Type	Quick Fitting
Voltage	DC 24 V
Pressure	45 PSI

RO COMPONENTS

Faucet Bracket For Faucets (Steel)



Part Number	12007
-------------	-------

Three Housing Bracket For 3 Filter Housings



Part Number	12012
-------------	-------

EC Housing Bracket For 3 Filter Housings



Part Number	12013
-------------	-------

Single Housing Bracket For 10" Filter Housing



Part Number	12008
-------------	-------

Bracket For WF-20 (Big Blue)



Part Number	12014
-------------	-------

Single Housing Bracket For 20" Filter Housing



Part Number	12009
-------------	-------

Bracket For RO600 Unit



Part Number	12015
-------------	-------

Housing Bracket For 10" Big Blue Filter Housing



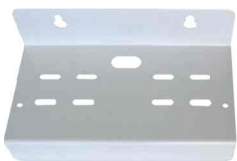
Part Number	12010
-------------	-------

Bracket For RO800 Unit



Part Number	12016
-------------	-------

Twin Housing Bracket For 2 Filter Housings



Part Number	12011
-------------	-------

RO COMPONENTS

:: WATER STORAGE TANK

RO-132 Metal Water Storage Tank



Part Number	02001
Dimensions (mm)	280(Dia.) x 350(H)
Tank Capacity	3.2 Gallons
Connector	1/4" NPT

RO-2000 Metal Water Storage Tank



Part Number	02006
Dimensions (mm)	390(Dia.) x 770(H)
Tank Capacity	20 Gallons
Connector	1" BSP

RO-152 Metal Water Storage Tank



Part Number	02002
Dimensions (mm)	290(Dia.) x 408(H)
Tank Capacity	5.5 Gallons
Connector	1/4" NPT

RO-2800 Metal Water Storage Tank



Part Number	02007
Dimensions (mm)	390(Dia.) x 965(H)
Tank Capacity	28 Gallons
Connector	1" BSP

RO-122 Metal Water Storage Tank



Part Number	02003
Dimensions (mm)	200(Dia.) x 307(H)
Tank Capacity	2.2 Gallons
Connector	1/4" NPT

RO-1070 Metal Water Storage Tank



Part Number	02005
Dimensions (mm)	390(Dia.) x 575(H)
Tank Capacity	14 Gallons
Connector	1/4" NPT

RO-145P Plastic Water Storage Tank



Part Number	02009
Dimensions (mm)	280(Dia.) x 401(H)
Tank Capacity	5.0 Gallons
Connector	1/4" NPT

SS-180 Stainless Steel Tank



Part Number	02008
Dimensions (mm)	279(Dia.) x 350(H)
Tank Capacity	4.4 Gallons
Connector	1/4" NPT

PRO4000W Plastic Water Storage Tank



Part Number	02010
Dimensions (mm)	280(Dia.) x 355(H)
Tank Capacity	4.0 Gallons
Connector	1/4" NPT

RO COMPONENTS

:: FAUCET



101



102



103



106

Specification

Part Number	Description	Color	Tube	No. / Case
101	Long reach faucet with a ceramic disc valve	Chrome	1/4"	40 PCS
102	Long reach faucet with a ceramic disc valve	Gold	1/4"	40 PCS
103	Long reach faucet with a ceramic disc valve	Antique Brass	1/4"	40 PCS
106	Long reach faucet with a ceramic valve	Champagne	1/4"	40 PCS



108



113



114



115

Specification

Part Number	Description	Color	Tube	No. / Case
108	Press type faucet	Chrome	1/4"	50 PCS
113	Long reach faucet with a ceramic disc valve	Chrome	1/4"	40 PCS
114	Duck type / Long reach faucet with a ceramic disc valve	Chrome	1/4"	50 PCS
115	Long reach faucet with a ceramic disc valve	Chrome	1/4"	40 PCS



EUROPEAN DESIGN FAUCET

PUREPRO REVERSE OSMOSIS FAUCETS

- Made of High Quality Material
- Professional Workmanship
- Ceramic Designer and Traditional Models Available

RO COMPONENTS



Specification

Part Number	Description	Color	Tube	No. / Case
116	Long reach faucet with a ceramic disc valve	Chrome	1/4"	40 PCS
123	Long reach faucet with a ceramic valve	Gold	1/4"	40 PCS
124	Long reach faucet with a ceramic valve (Quarter-turn handle)	Chrome	1/4"	50 PCS
163	Duck type / Long reach faucet with a ceramic valve	Chrome	1/4"	50 PCS
164	Duck type / Long reach faucet with a ceramic valve	2 Point gold	1/4"	50 PCS



Specification

Part Number	Description	Color	Tube	No. / Case
207	New design hot cold ro-water Three in one	Chrome	1/4"	8 PCS
208	New design hot cold ro-water Three in one	Chrome	1/4"	8 PCS
211	New design hot cold ro-water Three in one	Chrome	1/4"	8 PCS
212	New design hot cold ro-water Three in one	Chrome	1/4"	8 PCS

※ You don't need to drill the hole for RO faucet, just replace the old one.



KITCHEN & DRINKING FAUCET

HOT COLD RO-WATER / THREE IN ONE

You don't need to drill the hole for RO faucet,
just replace the old one.



MEMBRANE HOUSING & MEMBRANE

:: RO MEMBRANE



Specification

Part Number	Description	Maximum Operating Pressure	Max. Working Temperature
05001	TW30-1812-50 50 GPD	60 PSI	2°C - 45°C (35.6°F - 113°F)
05002	TW30-1812-80 80 GPD	60 PSI	2°C - 45°C (35.6°F - 113°F)
05003	TW30-1812-100 100 GPD	60 PSI	2°C - 45°C (35.6°F - 113°F)
05005	TW30-1812-200 200 GPD	100 PSI	2°C - 45°C (35.6°F - 113°F)
05006	TW30-2521 250 GPD	225 PSI	2°C - 45°C (35.6°F - 113°F)
05007	TW-4021 800 GPD	150 PSI	2°C - 45°C (35.6°F - 113°F)
05008	TW-4040 2200 GPD	150 PSI	2°C - 45°C (35.6°F - 113°F)
05009	BW-4040 2200 GPD	150 PSI	2°C - 45°C (35.6°F - 113°F)

:: MEMBRANE HOUSING

Membrane Housing White Color 1812



Part Number	11031
Female Type Thread	1/8" NPT
Max. Burst	500 PSI
Cycle Test	0-150 PSI, 100,000 Times
Max. Operating	125 PSI
Max. Temperature	2°C - 45°C (35.6°F - 113°F)

Stainless Steel Pressure Vessel Membrane Housing



Part Number	4021-12
	4040-12
	4040-34
	2521-38
	2540-38
Inlet / Outlet	1/2", 1/2" NPT
	1/2", 1/2" NPT
	3/4", 1/2" NPT
	3/8", 1/4" NPT
	3/8", 1/4" NPT
End cap	PA66+30% GF (plastic) /SS
Housing	304 SS / 316 SS
O-ring	EPDM
Clip	304 SS



PUREPRO Membranes

PUREPRO reverse osmosis membrane elements for home drinking water are the industry's most reliable. Advanced membrane technology and automated fabrication allow these elements to deliver consistent performance that equipment suppliers, water treatment dealers and residential customers can rely on. A thin film composite (TFC) high quality membrane that processes 50 gallons per day. It remove the following hard water contaminants that may be present in your water: lead, cooper, barium, chromium, mercury, sodium, cadmium, fluoride, nitrite, nitrate, and selenium.

PUREPRO home drinking water elements are rated at 50 psi and will purify about 20% more water than competitive elements rated at 60 psi (please see reference charts on back for more information).



FILTER HOUSING

:: FILTER HOUSING

10" Clear Filter Housing



Part Number	11011
Inlet / Outlet	1/4" NPT
Clear Housing	Acrylonitrile Styrene
Housing Head	Polyethylene
Double O-ring	BUNA-N
Max. Pressure	100 PSI
Max. Working Temperature	2°C - 45°C (35.6°F - 113°F)

10" Big Blue Filter Housing



Part Number	11022
Thread Size	1", 1 1/2" NPT
Blue Housing	Polyethylene
Housing Head	Polyethylene
Double O-ring	BUNA-N
Max. Pressure	100 PSI
Max. Working Temperature	2°C - 45°C (35.6°F - 113°F)

10" White Filter Housing



Part Number	11012
Inlet / Outlet	1/4" NPT
White Housing	Polyethylene
Housing Head	Polyethylene
Double O-ring	BUNA-N
Max. Pressure	100 PSI
Max. Working Temperature	2°C - 45°C (35.6°F - 113°F)

20" Big Blue Filter Housing



Part Number	11024
Thread Size	1", 1 1/2" NPT
Blue Housing	Polyethylene
Housing Head	Polyethylene
Double O-ring	BUNA-N
Max. Pressure	100 PSI
Max. Working Temperature	2°C - 45°C (35.6°F - 113°F)

20" White Filter Housing



Part Number	11026
Thread Size	3/8", 1/2", 3/4" NPT
White Housing	Polyethylene
Housing Head	Polyethylene
Double O-ring	BUNA-N
Max. Pressure	100 PSI
Max. Working Temperature	2°C - 45°C (35.6°F - 113°F)

10" Blue Filter Housing



Part Number	11014
Thread Size	3/8", 1/2", 3/4" NPT
Blue Housing	Polyethylene
Housing Head	Polyethylene
Filter O-ring	BUNA-N
Max. Pressure	100 PSI
Max. Working Temperature	2°C - 45°C (35.6°F - 113°F)

20" Blue Filter Housing



Part Number	11027
Thread Size	3/8", 1/2", 3/4" NPT
Blue Housing	Polyethylene
Housing Head	Polyethylene
Double O-ring	BUNA-N
Max. Pressure	100 PSI
Max. Working Temperature	2°C - 45°C (35.6°F - 113°F)

20" Blue Filter Housing

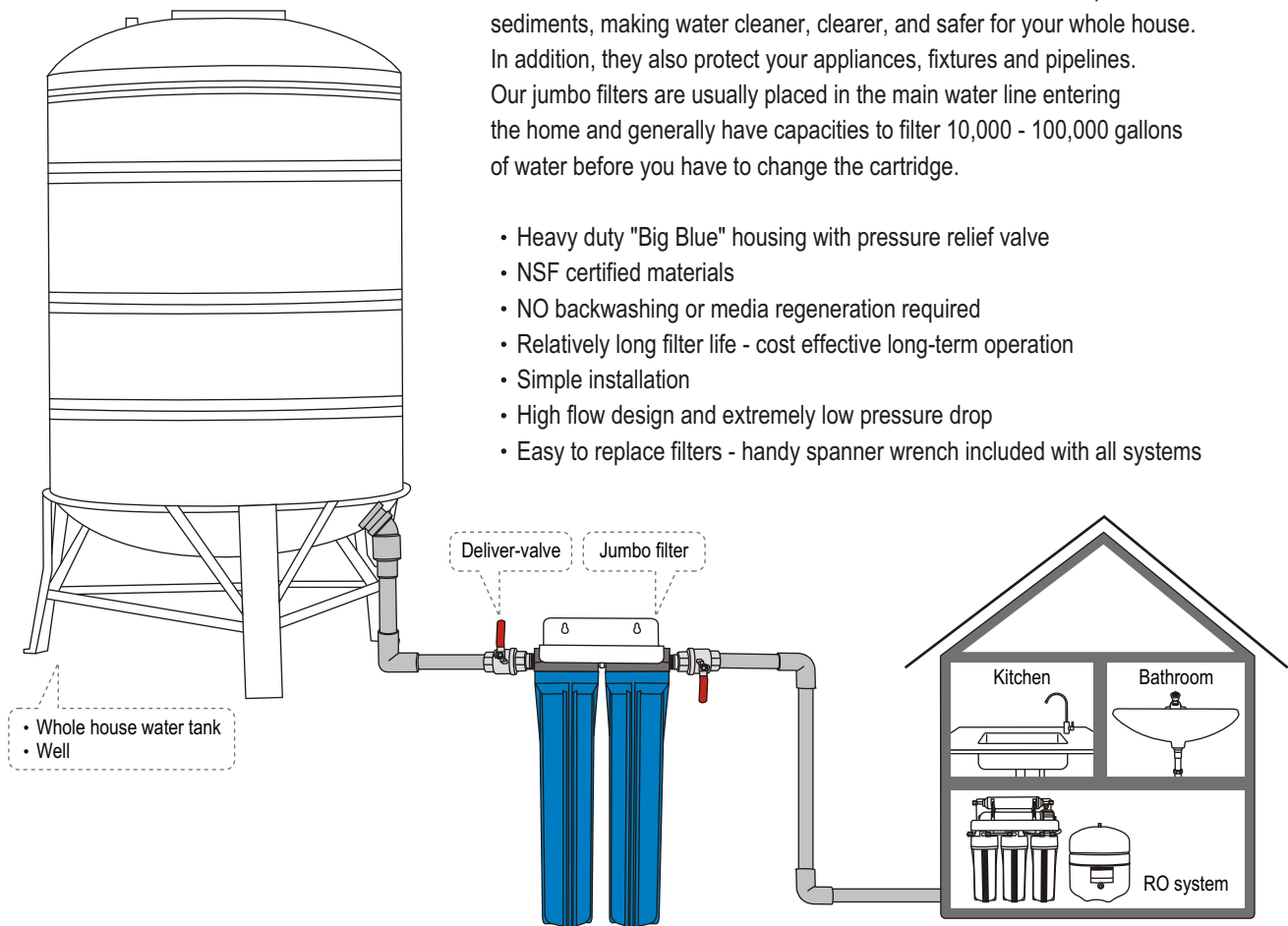


Part Number	11015
Thread Size	3/8", 1/2", 3/4" NPT
Blue Housing	Polyethylene
Housing Head	Polyethylene
Filter O-ring	BUNA-N
Max. Pressure	100 PSI
Max. Working Temperature	2°C - 45°C (35.6°F - 113°F)

JUMBO FILTER

Jumbo filters remove chlorine and other chemical tastes, odors plus dirt, sediments, making water cleaner, clearer, and safer for your whole house. In addition, they also protect your appliances, fixtures and pipelines. Our jumbo filters are usually placed in the main water line entering the home and generally have capacities to filter 10,000 - 100,000 gallons of water before you have to change the cartridge.

- Heavy duty "Big Blue" housing with pressure relief valve
- NSF certified materials
- NO backwashing or media regeneration required
- Relatively long filter life - cost effective long-term operation
- Simple installation
- High flow design and extremely low pressure drop
- Easy to replace filters - handy spanner wrench included with all systems



BB20-01



BB20-02



BB20-03

Specification

Part Number	Inlet / Outlet	Bracket	Max. Pressure	Cartridges Dimensions	Max. Working Temperature	Dimension (mm)
BB20-01	1" NPT	Wall Bracket	125 PSI	20" x 4.5"	2°C - 45°C (35.6°F - 113°F)	550(L) x 750(H) x 188(W)
BB20-02	1" NPT	Wall Bracket	125 PSI	20" x 4.5"	2°C - 45°C (35.6°F - 113°F)	352(L) x 750(H) x 188(W)
BB20-03	1" NPT	Wall Bracket	125 PSI	20" x 4.5"	2°C - 45°C (35.6°F - 113°F)	188(L) x 770(H) x 200(W)

WHOLE HOUSE FILTER

WF-10 Whole House Filter (BIG BLUE)



Part Number	WF-10
Dimensions (mm)	195(L) x 680(H) x 250(W)
Pressure Release Valve	1" NPT input/output
Bracket	Wall Bracket
Max. Pressure	125 PSI
Max. Working Temperature	2°C - 45°C (35.6°F - 113°F)
Cartridges Dimensions	20" x 4.5"
Cartridges Type	Sediment

※ The system includes a standard set of component parts.

1 Stage Countertop Water Filter



Part Number	01037
Dimensions (mm)	150(L) x 320(H) x 135(W)
Water Inlet	1/4"
Max. Pressure	80 PSI
Max. Working Temperature	2°C - 45°C (35.6°F - 113°F)
Cartridges Dimensions	10" x 2.5"
Cartridges Type	Sediment

※ The system includes a standard set of component parts.

WF-20 Whole House Filter (BIG BLUE)



Part Number	WF-20
Dimensions (mm)	195(L) x 830(H) x 450(W)
Pressure Release Valve	1" NPT input/output
Bracket	Floor standing Bracket
Max. Pressure	125 PSI
Max. Working Temperature	2°C - 45°C (35.6°F - 113°F)
Cartridges Dimensions	20" x 4.5"
Cartridges Type	Sediment, Carbon

※ The system includes a standard set of component parts.

2 Stage Countertop Water Filter



Part Number	01038
Dimensions (mm)	270(L) x 320(H) x 135(W)
Water Inlet	1/4"
Max. Pressure	80 PSI
Max. Working Temperature	2°C - 45°C (35.6°F - 113°F)
Cartridges Dimensions	10" x 2.5"
Cartridges Type	Sediment, Carbon

※ The system includes a standard set of component parts.

WF-30 Whole House Filter (Slim Line)



Part Number	WF-30
Dimensions (mm)	195(L) x 660(H) x 460(W)
Pressure Release Valve	3/4" NPT input/output
Bracket	Wall Bracket
Max. Pressure	125 PSI
Max. Working Temperature	2°C - 45°C (35.6°F - 113°F)
Cartridges Dimensions	20" x 2.5"
Cartridges Type	Sediment, GAC Filter, Carbon

※ The system includes a standard set of component parts.

3 Stage Countertop Water Filter



Part Number	01039
Dimensions (mm)	385(L) x 320(H) x 135(W)
Water Inlet	1/4"
Max. Pressure	80 PSI
Max. Working Temperature	2°C - 45°C (35.6°F - 113°F)
Cartridges Dimensions	10" x 2.5"
Cartridges Type	Sediment, Carbon

※ The system includes a standard set of component parts.

A better DESIGN A better QUALITY

WF-20

Whole house water filter system

Heavy duty 2 x 20" Big Blue housing 1"NPT with floor standing bracket.

Include:

20" x 4.5" Big blue sediment filter
20" x 4.5" Big blue carbon block filter
housing wrench

Features:

- Pressure Release Valve
- Wall Bracket
- Easy Filter Changes
- Compact

Operating Data:

- Max. Pressure: 125 psi
- Max. Temperature: 120°F (50°C)



WATER TESTER

Electronic Color Tester



Part Number	161001
Dimensions (mm)	102(L) x 100(H) x 49(W)
QTY.	60 PCS / BOX

E-Cup



Part Number	162807
Dimensions (mm)	84(L) x 110(H) x 80(W)
QTY.	30 PCS / BOX

TDS Meter



Part Number	161002
Dimensions (mm)	150(L) x 23(H) x 29(W)
QTY.	10 PCS / BOX

Water Checker



Part Number	162808
Dimensions (mm)	82(L) x 20(H) x 48(W)
QTY.	50 PCS / BOX

TDS Meter (Liquatec)



Part Number	161002-1
Dimensions (mm)	145(L) x 20(H) x 30(W)
QTY.	50 PCS / BOX

Mini TDS Meter



Part Number	162706
Dimensions (mm)	73(L) x 30(H) x 36(W)
QTY.	100 PCS / BOX

pH Meter



Part Number	pH600
Dimensions (mm)	150(L) x 20(H) x 28(W)
QTY.	10 PCS / BOX

Demo Unit



Part Number	11120
Dimensions (mm)	600(L) x 750(H) x 250(W)

※ Portable design easily carries for demonstration.

Purification filter
for laboratory
and industrial using

24000GPD Industrial RO System



R024000

Pure-Pro Reverse Osmosis (RO) Systems

Over ten years expertise in reverse osmosis drinking water systems, our unique design features make installation easier and operation more reliable, and our wide selection of colors and sizes allows you to solve virtually any RO application.



PUREPRO
DRINKING WATER SYSTEM

CONTACT

© PUREPRO USA CORP., ILLINOIS, U.S.A.

